

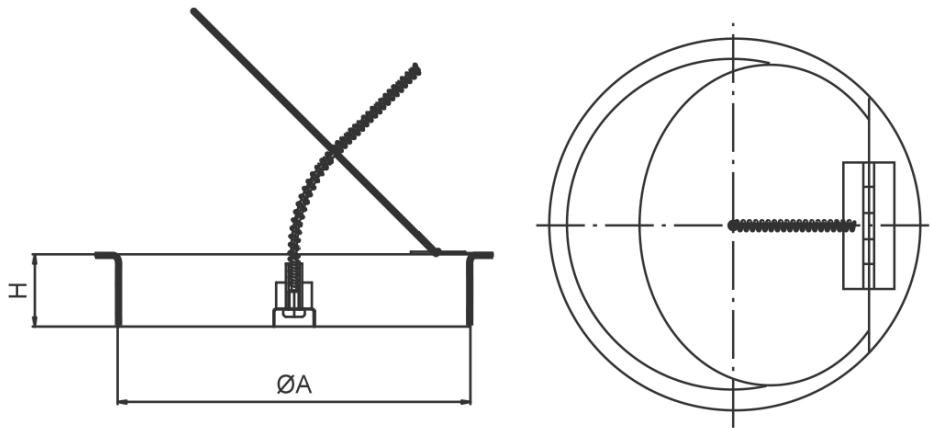


# SER 02

Collection damper suitable for installation upstream of the galvanised steel circular diffusers complete with opening/closing mechanism.

## TECHNICAL SPECIFICATION AND USAGE LIMIT

MATERIAL	SURFACE FINISH	FASTENING
Steel	Galvanised	<ul style="list-style-type: none"> <li>Screws to the diffuser neck or the piping</li> <li>The SER02 calibration butterfly damper is suitable for installation upstream of the circular diffusers. It is made of galvanised steel and comes complete with a robust and rigid opening/closing mechanism in order to prevent vibration and noise when the air passes through.</li> <li>Easy installation, adjustments and maintenance.</li> <li>The damper fitted at the top of the diffuser is adjusted by acting on the adjustment screw through the hole in the threaded bar of the diffuser.</li> </ul>








## TECHNICAL DATA

Ø Nominal	Ø A	H
100	97	40
150	147	40
160	157	40

## TECHNICAL DATA

∅ Nominal	∅ A	H
200	197	40
250	247	40
300	297	40
315	312	40
350	347	40
400	397	40
450	447	40
500	497	40

## APPLICATIONS

				
Residential	REACH Certificate	RoHS Certificate	Industry	Building

\*on request