



PS02L PlenuSan™

Plenum with a protective film with antibacterial and antimycotic action and side outlet for diffusers with adjustable deflectors.

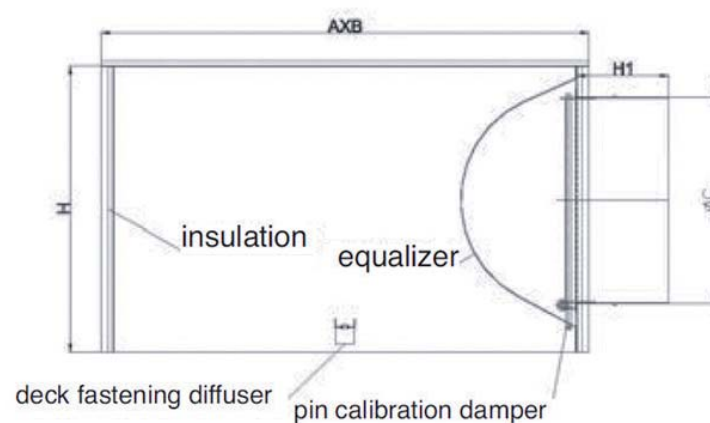
TECHNICAL SPECIFICATION AND USAGE LIMIT

INSTALLATION	MATERIAL	SURFACE FINISH	ADJUSTMENT	FASTENING:
Easy installation, adjustments and maintenance.	Galvanized steel coupled with insulating material coated with sanitized film.	Galvanized	The damper positioned at the plenum inlet is adjusted by means of the integrated lever.	By lateral screws or central screw.

APPLICATION

The plenum P02 is suitable for installation on diffusers with adjustable deflectors. It is made of galvanized steel. It can be coated with insulating material and be equipped with an equalizer and calibration slide gate with opening and closing pin. The inlet is positioned on the side of the plenum.

Standard product with side inlet



TECHNICAL DATA

Nominal Ø [mm]	A x B [mm]	H [mm]	H1 [mm]	Ø C [mm]
300	291x291	245	110	150
400	391x391	295	110	200
500	491x491	295	110	200
600	591x591	345	110	250
625	621x621	345	110	250
800	791x791	395	110	250

CERTIFICATIONS

SANITIZATION

FIRE REACTION



SANITIZED TECHNOLOGY

PlenuSan™ is produced by coupling the new generation polyolefin film inside the plenum inner surfaces with the addition of the "Antibacterial Sanitized" active ingredient capable of reducing the microbial and bacterial load before being distributed inside the indoor spaces.

IT

Expanded polyethylene support:
Class 1 (DM 26/06/84)

EU

Expanded polyethylene support:
Class 2 (EN 14313: 2009 - A1:2013)



NO BACTERIA

NO MILDEW

GREEN BUILDING

Thanks also to the support of GreenMap, products manufactured by Tecnica srl contribute to obtain the credits of the major international rating systems for sustainable buildings:



LEED

Contributes to credits:
IP, MR



WELL

Contributes to credits:
MATERIALS, COMMUNITY, INNOVATION

BREEAM

BREEAM

Contributes to credits:
MAN

For further details regarding the specific contributions to the credits indicated, contact Tecnica Srl

APPLICATIONS

Residential	Mold Resistant	Microorganism Resistance	REACH Certificate	RoHS Certificate	Building	Air Conditioning	Grilles and diffusers

*on request